



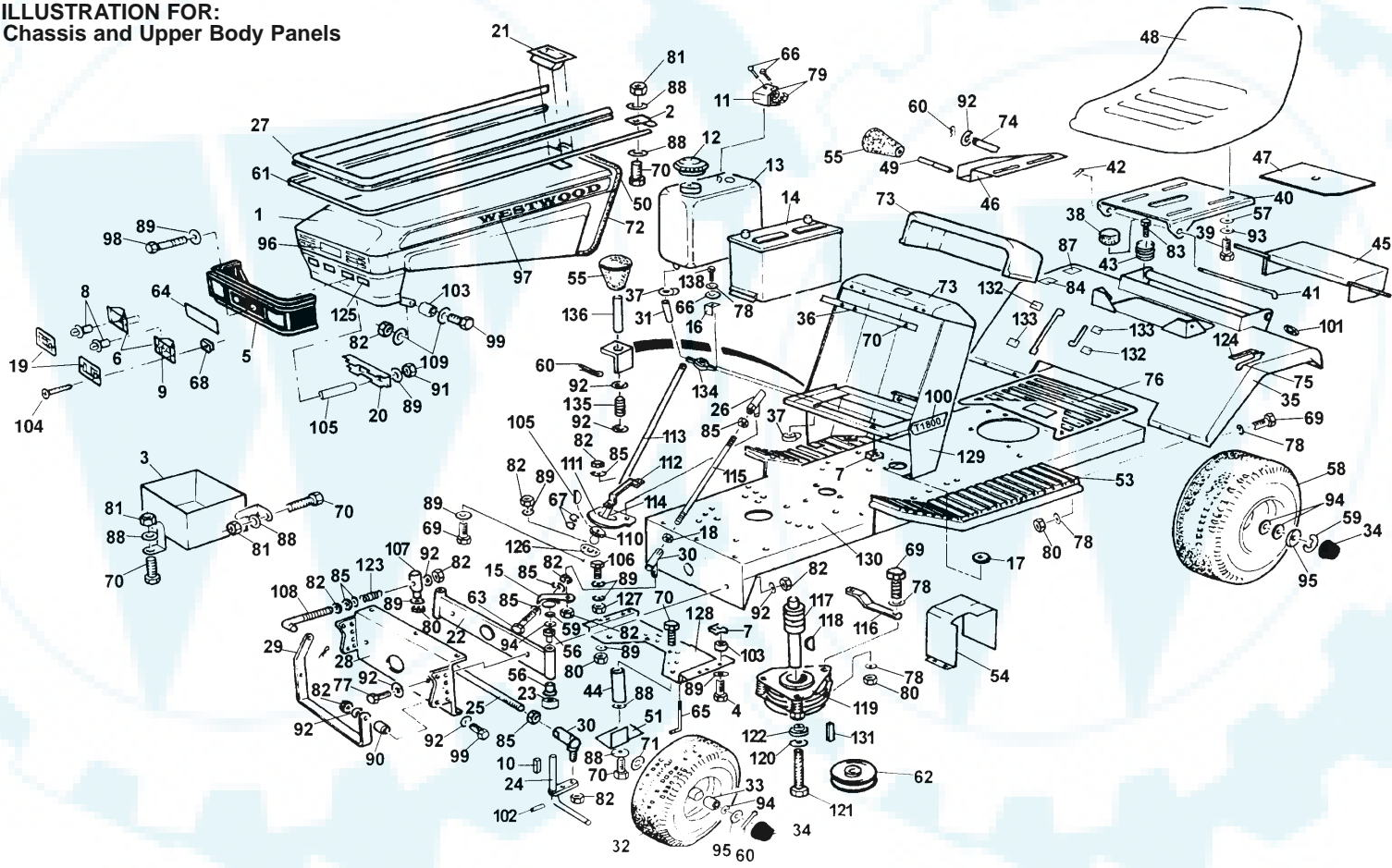
WESTWOOD GARDEN TRACTORS 1995 PARTS CATALOGUE

CONTENTS

	PAGE No.
TRACTOR CHASSIS AND UPPER BODY PANELS	2 – 4
TRANSMISSION, GEAR CHANGE AND PGC LIFTING MECHANISM	5 – 6
ELECTRICS, STEERING WHEEL, PTO, ENGINE ANCILLIARIES, CUTTER ENGAGE & INSTRUCTION/WARNING LABELS	7 – 9
36" CUTTER DECK PART NO.S 9023 & 9024	10 – 11
42" CONTRA-ROTATING CUTTER DECK PART NO. 9046	12 – 13
48" CONTRA-ROTATING CUTTER DECK PART NO. 8858	14 – 15
HYDROSTATIC TRANSMISSION ON 1012H, T1300H AND T1500H	16 – 17
HYDROSTATIC TRANSMISSION ON T14 AND T1800/48 HYDRO MODELS	18 – 19



PARTS ILLUSTRATION FOR:
Tractor Chassis and Upper Body Panels





PARTS LIST FOR: Tractor Chassis and Upper Body Panels

Item	Part No	Description	Qty
1	8740	Bonnet	1
2	8553	Bonnet Catch	1
3	9051	Air Intake (T1400 & T1800)	1
4	5480	Setscrew, M8 x 30 mm	3
5	8842	Grille	1
6	8905	Headlamp Reflector	2
7	4309	Nut, M8 "J" Type	4
8	8274	Lamp	2
9	8273	Lamp Holder	2
10	1098	Key, 3/16" x 1"	1
11	8202	Bracket, Fuel Tank	1
12	3963	Cap, Fuel Tank	1
13	3960	Fuel Tank	1
14	1209	Battery, 12 Volt Type 138	1
15	4930	Steering Arm	1
16	7776	Bracket, Battery Clamp	1
17	4152	Grommet (open) Chassis	3
18	6776	Locknut, 3/8" UNF LH Thread	2
19	8256	Headlamp Lense	1
20	9021	Plate Grill Clamping	1
21	8896	Bonnet Hand Grip	1
22	2296	Axle Beam	1
	1423	Grease Nipple	2
23	5479	Spacer, Stub Axle	2
24	8998	Stub Axle, Left Hand	1
	9000	Stub Axle, Right Hand	1
25	6778	Track Rod	1
26	6487	Ball Joint, RH Thread	4
27	8853	Bonnet Trim	1
28	8252	Chassis Bracket (Front)	1
29	9094	Hitch Bracket (T1400, T1800/42 & T1800/48)	1
	9148	Hitch Bracket (T1500 & T1400/36)	1
30	6515	Ball Joint, LH Thread	1
31	3859	Pipe, Fuel Supply	a/r

Item	Part No	Description	Qty
32	7520	Front Wheel Assembly (15" T Series)	2
	7528	Wheel Rim	2
	7518	Tyre	2
	1540	Inner Tube	2
33	3354	Bush, Oilite	4
34	4230	Hub Cap	4
35	8763	Centre Body Assy (T Series)	
	9115	Centre Body Assy (T1500/36)	1
	8205	Centre Body Assy (T1012 & T1300)	1
	9150	Centre Body Assy (T1800/48H)	1
36	8553	Plate, Bonnet Catch	1
37	2828	Clip, Snapper No. 8	1
38	8501	Cap, Seat Spring	2
39	4109	Setscrew, 3/8" UNC x 1"	2
40	8206	Plate, Seat Mount LH (1012/36)	4
	8207	Plate, Seat Mount RH (1012/36)	1
	8369	Plate, Seat Delux ('T' Series only)	1
41	6646	Pin, Seat Plate	1
42	1225	"R" Clip (Large)	1
43	2898	Seat Spring	2
44	7541	Post, Safety Guard	2
45	8329	PTO Flap ('T' Series only)	1
	9003	Foam Strip	1
46	8370	Seat Adjuster Plate ('T' Series only)	1
47	8209	Plate, PTO Cover	1
48	7871	Seat (T1400 & T1800)	1
	9416	Seat, High Back (T1500 & 'S' Series)	1
48A	8489	Seat Switch	1
49	8371	Plunger, Seat Adjuster ('T' Series)	1
50	4832	Trim	1
51	7542	Safety Guard	p/ft
52	5644	Foot Mats, Front	1
53	5645	Foot mats, Centre	1pr
54	9049	Heatshield, Muffler (1012/1300,1500)	1pr
55	2648	Knob 3/8"	1

Item	Part No	Description	Qty
56	3355	Flanged Bush, Delryn 500 (axlebeam)	2
57	8566	Seat Spacer ('T' Series)	4
	8511	Nylon Washer	4
58	9042	Rear Wheel Assy, 18"	4
	7527	Wheel Rim	2
	7517	Tyre	2
	1588	Inner Tube	2
	8949	Rear Wheel Assy, 20" (T1400 & T1800)	2
	9043	Wheel Rim 3/4" axle bore	2
	9040	Tyre	2
	9041	Inner Tube	2
	8950	Real Wheel Assy, 20" (Hydrostatic)	2
	9039	Wheel Rim 1" axle bore	2
59	1663	"E" Clip, (AM1500-75)	2
60	1227	Split Pin, 1/8" dia. x 1 3/4"	3
61	8996	Insert, Bonnet Trim	2
62	3750	Pulley 7" (T1800H)	1
	1745	Pulley 5" (T1500H)	1
63	1267	Bolt, 3/8" UNF x 2 1/2"	1
64	8904	Decal, Grill	1
65	3743	Belt Guide Pin	1
66	2048	Washer, 5/16 Shakeproof	1
67	2589	"E" Clip, AM1500-62	1
68	3038	Nut, 'J' type No. 8	4
69	1982	Setscrew, 5/16" UNF x 3/4"	4
70	1156	Setscrew, 1/4" UNF x 3/4"	16
71	3713	Wheel Washer, Thick	4
72	3583	Bonnet Trim	12
73	8849	Console Cover (T series only)	1
	8902	Decal, Console Top (T1012 only)	1
74	1613	Spring	1
75	8766	Label, Gear Indicator	1
	8725	Label, Drive Direction (T1500)	1
76	8850	Centre Chassis Foot Matt	1



PARTS LIST FOR: Tractor Chassis and Upper Body Panels

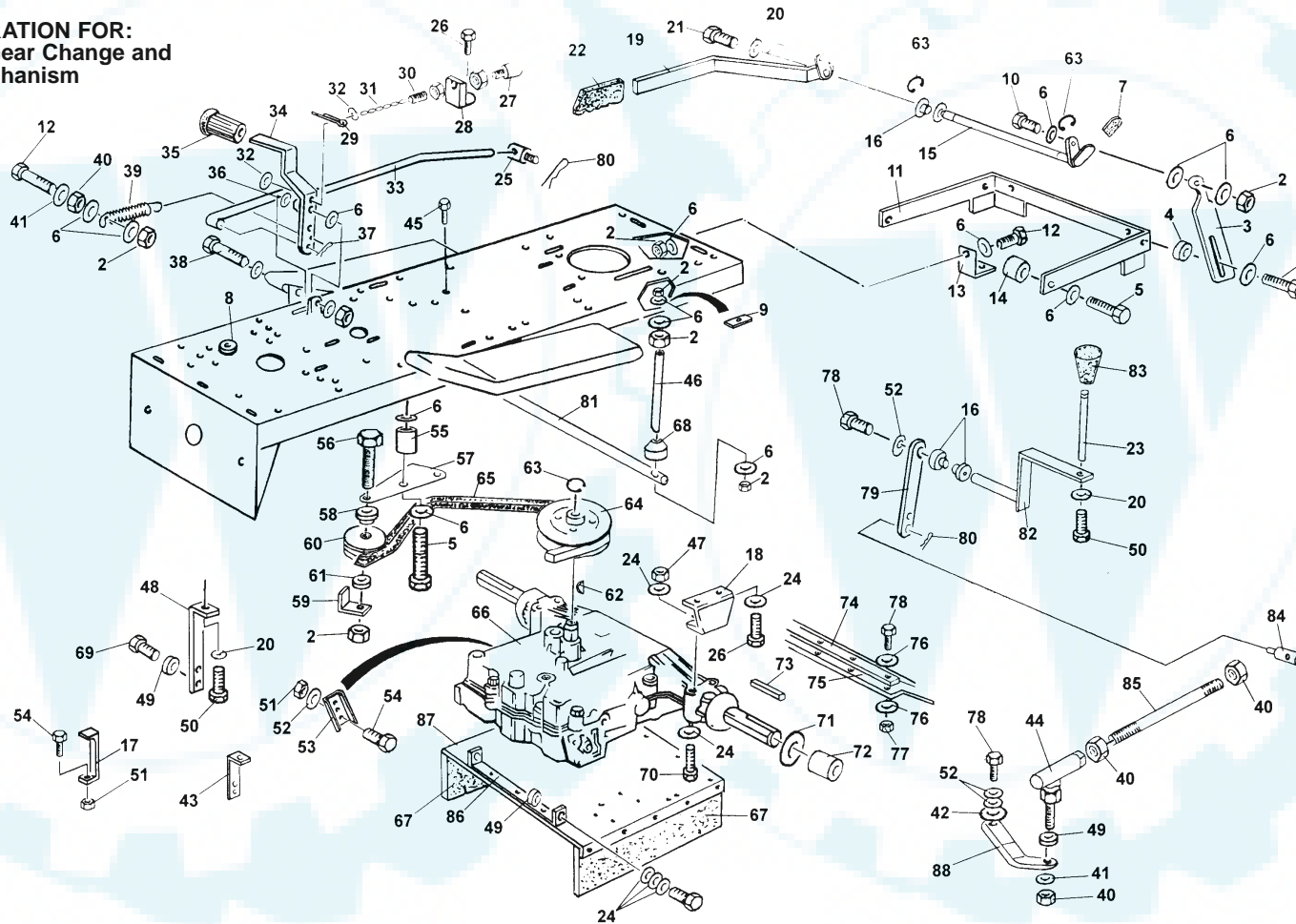
Item	Part No	Description	Qty
76A	4958	Firtree Fasteners (Footmats)	?
77	1200	Bolt, 3/8" UNF x 2 1/4"	1
78	1105	Washer, 5/16" dia. (T3L)	2
79	1053	Nut, 2BA Nyloc	24
80	1273	Nut, 5/16" UNF Nyloc	2
81	1270	Nut, 1/4" UNF Nyloc	14
82	1324	Nut, 3/8" UNF Nyloc	4
83	2015	Setscrew, 3/8" UNF x 1"	24
84	7361	Label (P.G.C. Lower)	4
85	3792	Locknut, 3/8" UNF	1
86	1962	Washer, 2BA	4
87	7369	Label (P.G.C. Raise)	4
88	1331	Washer, 1/4" dia (T3L)	1
89	3613	Washer, 5/16" dia. (T3L)	20
90	6636	Spacer	14
91	084-08T	Nut, M8, Self-locking, Thin	2
92	1323	Washer, 3/8" dia. (T3L)	2
93	1633	Washer, 3/8" dia. Shakeproof	20
94	3712	Washer, Shim 20g	4
95	3908	Washer, Hub Cap	14
96	8901	Logo "Westwood" Bonnet Front	5
97	8897	Bonnet Logo Right Hand	1
	8898	Bonnet Logo Left Hand	1
	8899	Bonnet Logo RH (1012,1012H)	1
97	8900	Bonnet Logo LH (1012, 1012H)	1
98	3653	Setscrew, M8 x 40	1
99	1948	Setscrew, 3/8 UNF x 1 1/4"	2
100	8964	Logo, 1012 Right Hand	1
	8963	Logo, 1012 Left Hand	2
	8400	Logo, T1300 Right Hand	1
	8401	Logo, T1300 Left Hand	1
	8414	Logo, T1400 Right Hand	1
	8415	Logo, T1400 Left Hand	1
	8968	Logo, T1500 Right Hand	1
	8967	Logo, T1500 Left Hand	1

Item	Part No	Description	Qty
	8970	Logo, T1800H Right Hand	1
	8969	Logo, T1800H Left Hand	1
	8966	Logo, T1012H Right Hand	1
	8965	Logo, T1012H Left Hand	1
	8983	Logo, T1300H Right Hand	1
	8982	Logo, T1300H Left Hand	1
	9153	Logo, T1400H Right Hand	1
	9154	Logo, T1400H Left Hand	1
101	4100	Grommet	1
102	1553	Roll Pin, 1/8" dia. x 1 1/2"	1
103	3683	Spacer	2
104	1956	Screw, No. 8 x 1"	3
105	M4509	Spacer, Plastic	4
106	3608	Setscrew, 5/16" UNF x 1 1/4"	2
107	7092	Swivel	2
108	8016	Rod, Adjuster	1
109	3616	Washer 5/16" x 3/4"	1
110	2276	Steering Gear	4
111	3403	Steering Quadrant	1
112	3401	Bridge, Steering Quadrant	1
113	8212	Steering Column	1
114	3400	Bush, Steering Quadrant	1
	6975	Steering Rod (1012/36 & T1500H)	1
115	8372	Steering Rod	1
	5485	Steering Rod, (T1400 & T1800)	1
116	7090	Brace, Electromagnetic Clutch	1
117	7088	Pulley Block ('T' Series)	1
	7662	Pulley Block Lower (T15H & T18H)	1
	7684	Spacer	1
	7267	Pulley Block Upper (T15H & T18H)	1
	6797	Pulley Block (T1012/T1300)	1
	8733	Spacer (T1500H)	1
118	3728	Drive Key	1
119	7259	Clutch, Electric - T Series	1
	1558	Pulley (T1300 & T1012)	1

Item	Part No	Description	Qty
120	6536	Washer	1
121	027-1127	Bolt, 7/16" UNF x 5" (T1400)	1
	4342	Bolt, 7/16" UNC x 4 1/4" (T1012/36)	1
	027-1114	Bolt, 7/16" UNC x 4 1/2" (T1800H)	1
122	8552	Shouldered Plug	1
123	7190	Compression Spring	1
124	6661	Label, Gear Change Warning	1
125	8297	Blank, Bonnet Front (T1012/36)	1
126	1699	Steering Foot	4
127	1969	Locknut, 5/16" UNF	1
128	8284	Guard Plate (1012/36 only)	2
	4256	Belt Guide	1
129	8213	Console Assembly	2
130	8556	Chassis Assembly (T1400 & T1500)	1
	8296	Chassis Assembly (T1012/36)	1
	9140	Chassis Assembly (T1800/48H)	1
131	1602	Key, 1/4" Square x 1"	1
132	3436	Label, Drive Disengage	1
133	3435	Label, Drive Engage	1
134	7331	Fuel Valve	1
	3940	Snapper Hoseclip No. 6	1
135	2003	Spring, Park Brake	2
136	7383	Plunger, Park Brake	1
137	5093	Setscrew, M8 x 50	1
		NOT ILLUSTRATED	
	6944	Engine Pulley/Belt Guard (T1800)	1
	2351	Engine Spacers	4
	7351	Muffler, (12 1/2HP & 14 HP engines)	1
	9458	Battery Location Plate	1
	9459	Battery Clamp	1
	1982	Bolt (Pulley Block)	3
	013-08	Washer (Pulley Block)	3
	023-08114	Bolts (Hydro Pulley Block)	3
	011-0801	Washer (Hydro Pulley Block)	3



**PARTS ILLUSTRATION FOR:
Transmission, Gear Change and
PGC Lifting Mechanism**





PARTS LIST FOR: Transmission, Gear Change and PGC Lifting Mechanism

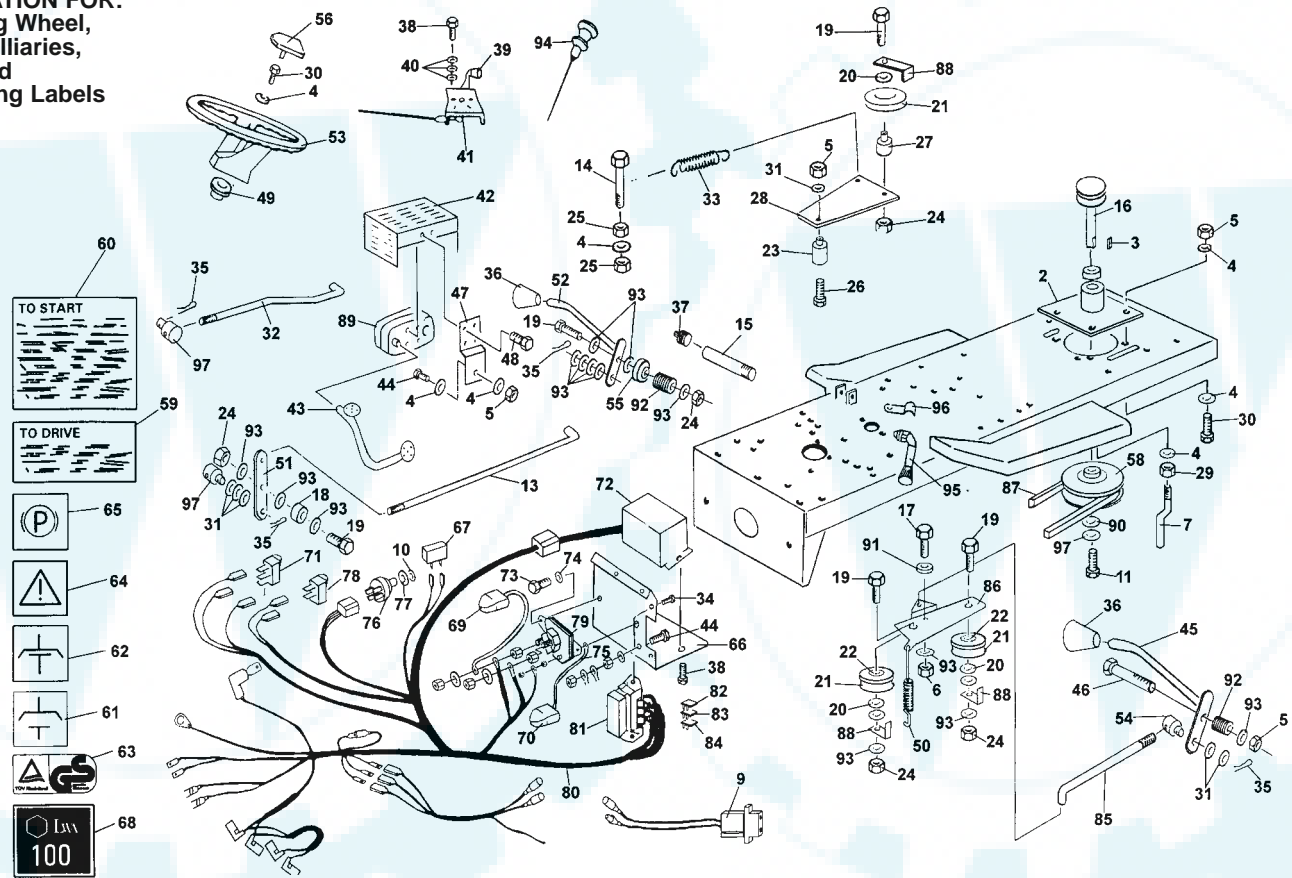
Item	Part No	Description	Qty
1	7340	Bolt, M10 x 30	2
2	1324	Nut, 3/8" UNF Nyloc	11
3	7715	Lifting Arm	2
4	3146	Spacer	2
5	3610	Setscrew, 3/8" UNF x 1 1/2"	2
6	1323	Washer, 3/8" dia. T3LP	19
7	7851	Rectangular Sleeve	1
8	8262	Plate, Chassis Strengthening	2
10	1948	Setscrew, 3/8" UNF x 1 1/4"	2
11	8215	Mounting Frame	1
12	1054	Bolt, 3/8" UNF x 1 1/2"	1
13	2246	Towing Hitch	1
13A	9419	Tow Hitch (Ftr Spr)	1
14	3146	Spacer	2
15	8285	Lifting Shaft	1
16	3539	Bush, Nylon	4
17	3321	Bracket Support	2
	8393	Bracket Support (1012/36 & T1400)	2
18	3483	Bracket, Transaxle Support	2
19	8280	Lifting Lever	1
20	3613	Washer, 5/16" dia. T5	4
21	4107	Setscrew, 5/16" UNF x 1/2" Nyloc	1
22	6083	Handgrip	1
23	8540	Handle, Gear Arm	1
24	1105	Washer, 5/16" dia. T3LP	15
25	1694	Swivel	1
26	1982	Setscrew, 5/16" UNF x 3/4"	7
27	3414	Switch, Brake Safety	1
28	6394	Bracket, Safety Switch (long)	1
	6393	Bracket, Safety Switch (short)	1
29	1667	Split Pin, 1/8" dia. x 3/4"	2
30	3463	Spring	1
31	2592	Chain	1
32	1067	Washer, 4BA	4
33	8515	Brake Rod (T1300 & T1400)	1

Item	Part No	Description	Qty
	8303	Brake Rod (1012/36)	1
	8676	Brake Rod (1012H/36 & T1500H)	1
	7824	Brake Rod (T1800H)	1
34	8218	Foot Pedal	1
35	8912	Foot Pedal Rubber	1
36	4124	Washer, 3/8" dia. T5	2
37	1233	Split Pin, 1/8" dia. x 5/8"	2
38	1267	Bolt, 3/8" UNF x 2 1/2"	2
39	2103	Clutch Spring	1
40	3792	Locknut, 3/8" UNF	2
41	1633	Washer, 3/8" dia. Shakeproof	4
42	4242	Washer, Gear Change	1
43	8502	Bracket, Transaxle (1012/36)	1
44	6487	Ball Joint	1
45	7671	Bolt, M8 x 20 Cup Head	1
46	7283	Stud, Hanger Bar	2
47	1273	Nut, 5/16" UNF Nyloc	6
48	2831	Bracket, Front, 801 Type Transaxle	2
	8300	Bracket, Front, 940 Type Transaxle	2
49	8394	Spacer	3
50	2031	Setscrew, 5/16" UNF x 1"	2
51	1270	Nut, 1/4" UNF Nyloc	2
52	1331	Washer, 1/4" dia.	4
53	2356	Plate, Brake Extension	1
54	1156	Setscrew, 1/4" UNF x 3/4"	2
55	6812	Boss, Jockey Plate	1
56	074-0845	Bolt, 3/8" UNF x 2"	2
57	8253	Plate, Jockey Pulley	1
58	8220	Bush, Jockey Pulley	2
59	5735	Belt Guide	2
60	9488	Jockey Pulley	2
61	2847	Washer, Jockey Pulley	4
62	1104	Key, 3/16" x 3/4"	1
63	4204	Circlip, 5/8" dia.	3
64	8295	Pulley, Transaxle	1

Item	Part No	Description	Qty
65	1688	Belt, Transmission	1
66	2019	Transaxle, Peerless 801-030	1
	8222	Transaxle, Peerless 940 (1012/36)	1
67	7986	Flap	2
	7898	Retaining Strip	2
68	4328	Spacer, Hanger Bar	1
69	7286	Screw, M8 x 25 mm Tapite	4
70	1978	Bolt, 5/16" UNF x 2 1/2"	4
71	3908	Washer, 3/4" dia. T4L	4
72	1715	Spacer, Rear Wheel	2
73	1664	Key, 3/16" Square x 2"	2
74	4233	Retaining Strip	1
	8813	Retaining Strip (T1400)	1
75	4220	Rubber Flap	1
76	4041	Washer, M4	5
77	3711	Nut, M4 Nyloc	5
78	3710	Setscrew, M4 x 12 mm	5
79	7129	Link Arm (1012/36)	1
	8558	Link Arm (T Series)	1
80	4086	"R" Clip (Small)	2
81	3991	Hanger Bar	1
82	8539	Lever, Gear Change	1
83	2649	Knob, 1/2"	1
84	6626	Swivel, Gear Change (T Series)	1
85	6625	Rod, Gear Change	1
	8227	Rod, Gear Change (1012/36)	1
86	3320	Bracket, Grass Deflector Rear	2
87	7897	Grass Deflector	1
88	6624	Lever, Cranked (T Series)	1
	8228	Lever, Cranked (1012/36)	1
		NOT ILLUSTRATED	
	3344	Tow Ball	1
	1054	Bolt	1



PARTS ILLUSTRATION FOR:
Electrics, Steering Wheel,
PTO, Engine Ancillaries,
Cutter Engage and
Instruction/Warning Labels





PARTS LIST FOR: Electrics, Steering Wheel, PTO, Engine Ancillaries, Cutter Engage and Instruction/Warning Labels

Item	Part No	Description	Qty
1		Not Allocated	
2	8271	Plate, PTO Mounting	1
3	MX1285	Key, 6mm Square x 15mm long	1
4	3613	Washer, 5/16" dia T5	16
5	1273	Nut, 5/16" UNF Nyloc	9
6	084-08T	Nut, M8 Thin Self-locking	1
7	6662	Guide, PTO Belt	2
8	8854	Bracket, Support	1
9	8798	Loom Adapter	1
10	5600	Bezel	1
11	1054	Setscrew, 3/8" UNF x 1 1/2"	11
12	3439	Label, Height Adjuster	1
13	6396	Engage Rod, Long	1
14	3396	Bolt, 1/4" UNF x 2 1/2"	1
15	7537	Tube, Oil Drain	1
	7852	Tube, Oil Drain (T1400 & T1800)	1
16	8286	Pulley & Shaft Assembly, PTO drive, 96.5mm	1
16A	9569	PTO Shaft, 71.5mm	1
17	7671	Bolt, M8 Cup Head x 20	1
18	1422	Nut, 3/8" UNF	1
19	074-0845	Bolt, M8 Cup Head	2
20	2847	Washer, Jockey Pulley	3
21	8313	Jockey Pulley	3
22	8220	Bush, Jockey Pulley	2
	3229	Bearing	6
23	8341	Spacer, PTO Plate	1
24	090-08	Nut, 3/8" UNF Nyloc	5
25	1270	Nut, 1/4" UNF Nyloc	2
26	1978	Setscrew, 5/16" UNF x 2 1/2"	1
27	8340	Bush, PTO Jockey Plate	1
28	8232	Plate, PTO Jockey Pulley	1
29	1969	Nut, 5/16" UNF Plain	1
30	1982	Setscrew, 5/16" UNF x 3/4"	3
31	1105	Washer, 5/16" dia.	3

Item	Part No	Description	Qty
32	8814	Engage Rod, Short	1
33	2103	Spring	1
34	4113	Screw, 2BA x 1"	4
35	4086	"R" Clip, Small	3
36	2648	Knob	2
37	3742	Plug, Oil Drain	1
38	2021	Machine Screw 4BA x 1/2"	2
39	7763	Knob, Throttle lever	1
40	1067	Washer, 4BA	6
41	8569	Throttle (T1400, T1800)	1
	7348	Throttle (T1300, 1012/36, T1500)	1
42	7751	Shield, Muffler (B&S 14 hp)	1
	8653	Shield, Muffler (B&S 15 hp)	1
43	7548	Pipe, Exhaust (B&S 14 hp + 18 hp)	1
	8856	Pipe, Exhaust (B&S 15 hp)	1
44	2031	Setscrew, 5/16" UNF x 1	2
45	8538	Lever, PTO Engage	1
46	1318	Bolt, 5/16" UNF x 2"	1
47	7592	Bracket, Muffler (B&S 14 hp + 18 hp)	1
	8852	Bracket, Muffler (B&S 15 hp)	1
48	2030	Setscrew, 1/4" UNC x 3/4"	4
49	3539	Bush, Steering Column	1
50	2594	Spring	1
51	9093	Link, Transfer	1
52	6400	Lever, Engage	1
53	8344	Steering Wheel	1
54	6817	Swivel, Adjuster Rod	1
55	3146	Spacer	1
56	8590	Cap, Steering Wheel	1
57		Not Allocated	
58	8337	Pulley, Assembly - 5"	1
59	8583	Label "TO DRIVE" Manual	1
	7920	Label "TO DRIVE" T1800H	1
	8739	Label "TO DRIVE" Hydro 1012/36	1
	9160	Label "TO DRIVE" Hydro T1500H	1

Item	Part No	Description	Qty
60	8582	Label "TO START" Manual	1
	7912	Label "TO START" T1500H, T1800H	1
61	3435	Label "Cutter Disengage"	1
62	3436	Label "Cutter Engage"	1
63	MX672	Label "GS, TÜV License Mark"	1
64	4967	Label "Hazard Warning"	3
65	3437	Label "Park Brake"	1
66	8906	Bracket, Solenoid/Fuse/PCB	1
67	8841	Light, Battery Charge	1
68	4972	Label "EEC Noise Limit" 104 dB(a)	1
		Label "EEC Noise Limit" 105 dB(a)	1
		(48" Cutter Deck)	
69	8233	Battery Connector, Positive	1
70	8234	Battery Connector, Negative	1
71	8161	Switch, Cutter Engage	1
72	8062	PCB Assembly	1
73	1156	Setscrew, 1/4" UNF x 3/4"	2
74	1331	Washer, 1/4" dia. T3L	3
75	7631	Earth Cable	1
76	2703	Switch, Ignition	1
77	6523	Washer, Ignition Switch	1
78	8160	Switch, Headlamp	1
	8840	Blank	1
79	1530	Solenoid	1
80	8073	Wiring Loom (1012/36)	1
	9028	Wiring Loom (T1300)	1
	8063	Wiring Loom (T1400, T1500, T1800)	1
81	8176	Fuse Holder	1
82	8177	Fuse, 1 amp	1
83	8178	Fuse, 10 amp	1
84	6789	Fuse, 20 amp	1
85	7107	Rod, Adjustable	1
86	8310	Plate, Jockey	1
87	7229	Belt, PTO	1
	7726	Belt, PTO (1012/36, T1800H)	1

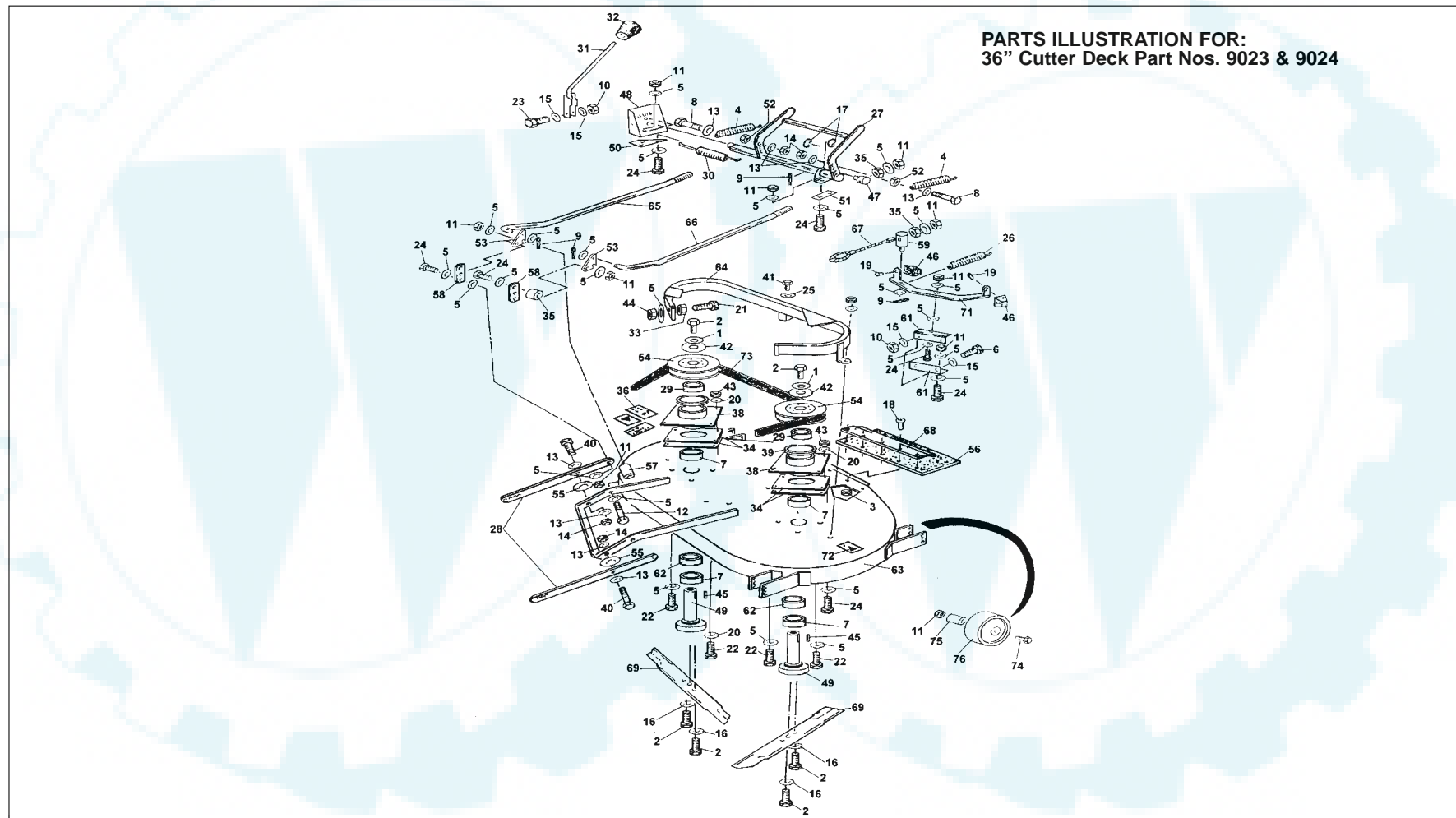


PARTS LIST FOR:
Electrics, Steering Wheel, PTO, Engine Ancilliaries,
Cutter Engage and Instruction/Warning Labels

Item	Part No	Description	Qty
	7239	Belt, PTO (T1500H)	1
88	5735	Belt Guide	3
89	7351	Muffler (B&S 14 hp + 18 hp)	1
90	3635	Washer	1
91	8418	Spacer, PTO Jockey	1
92	1613	Spring	1
93	1323	Washer, 3/8" dia.	9
94	3559	Choke Control (T1400 & T1800)	1
95	7852	Oil Drain and Adapter (T1400, T1800)	1
96	7853	Clip, Drain Pipe (T1400)	1
97	1695	Swivel, Engage Rod	2
98	3229	Bearing Roller Pulley	1
	9426	NOT ILLUSTRATED Gaiter (under Steering Wheel)	1

Item	Part No	Description	Qty

Item	Part No	Description	Qty



**PARTS ILLUSTRATION FOR:
36" Cutter Deck Part Nos. 9023 & 9024**

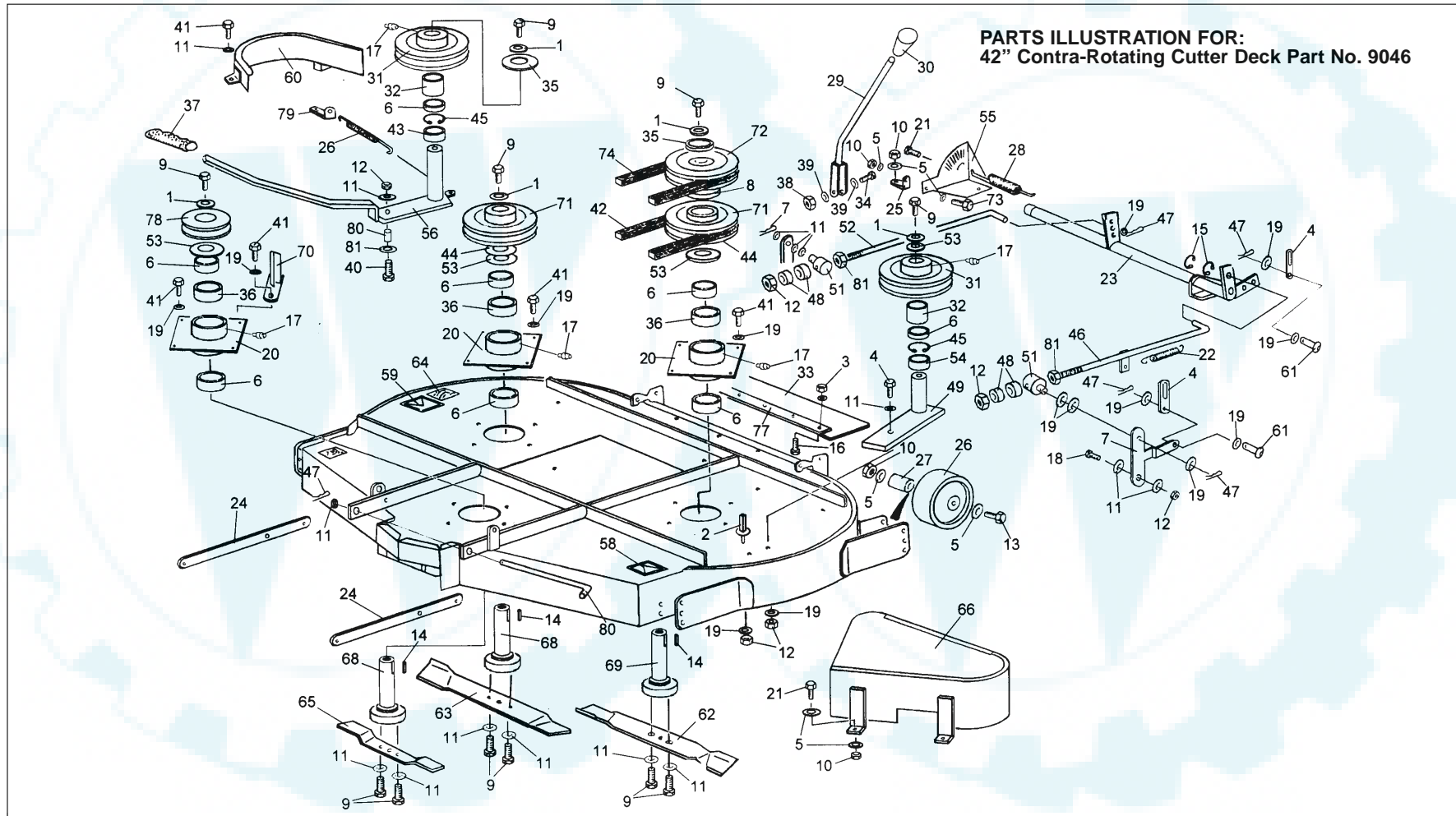


PARTS LIST FOR: 36" Cutter Deck Part Nos. 9023 & 9024

Item	Part No	Description	Qty
1	1006	Washer, hardened domed	2
2	094-1025	Setscrew	8
3	1053	Nut, 2BA Nyloc	5
4	1076	Tension spring	2
5	011-0801	Washer, 5/16" dia.	45
6	1156	Setscrew, 1/4" UNF x 3/4"	2
7	1180	Bearing, NSK6205-RS	4
8	2025	Bolt, 3/8" UNF x 2 3/4"	2
9	1233	Split pin, 1/8" dia x 3/4"	5
10	1270	Nut, 1/4" UNF Nyloc	5
11	1273	Nut, 5/16" UNF Nyloc	21
12	1318	Bolt, 5/16" UNF x 2"	2
13	1323	Washer, 3/8" dia	10
14	1324	Nut, 3/8" UNF Nyloc	6
15	1331	Washer, 1/4" dia.	7
16	1633	Washer, 3/8" shakeproof	6
17	1663	"E" Clip, AM1500-75	2
18	1735	Screw, 2BA x 3/4" long	5
19	1956	Screw, No. 8 x 1" Self tap	4
20	6124	Washer, M10	8
21	7418	Bolt, M8 cup square head	1
22	5850	Setscrew, M10 x 25	8
23	2022	Bolt, 1/4" UNF x 1 1/4"	1
24	2031	Setscrew, 5/16" UNF x 1"	11
25	2048	Washer, 5/16" shakeproof	4
26	2103	Spring tension (9023 Only)	1
27	2395	Hanger bracket assembly	1
28	2410	Hitch bar	2
29	9070	Pulley spacer	2
30	2595	Tension spring	1
31	7646	Lever, height adjuster	1
32	2649	Knob	1
33	3654	Nut, M8	1
34	9076	Spacer plate	4
35	3397	Spacer, 1/4" long	4

Item	Part No	Description	Qty
36	3329	Spacer, 7/16" long	3
37	3439	Label, height adjuster	1
38	1269	Label, height adjuster	1
39	8384	Bearing housing	2
40	8437	Pulley shroud	2
41	3610	Setscrew, 3/8" UNF x 1 1/2"	4
42	5849	Setscrew, M8 x 20 Patchlock	4
43	3618	Washer	2
44	2761	Nut, M10 Nyloc	8
45	2044	Nut, M8 Nyloc	1
46	3841	Key, 1/4" square x 3/4"	2
47	3730	Brake block (9023 only)	2
48	3740	Pivot, lift rod	2
49	3753	Quadrant, height adjuster	1
50	8844	Cutter shaft	2
51	9069	Spacer plate (Quadrant)	1
52	3781	Spacer plate (Hanger bkt)	1
53	3792	Locknut, 3/8" UNF	4
54	3907	Link plate	2
55	7386	Pulley	2
56	4124	Washer, 3/8" dia.	2
57	4220	Rubber flap	1
58	4221	Bush, link	2
59	3760	Link arm	2
60	4232	Pillar, brake arm (9023 only)	1
61		Not Allocated	
62	8145	Bridge, brake arm (9023 only)	2
63	8913	Spacer, bearing	2
64	8930	Deck shell	1
65	8144	Guard, pulley/belt	1
66	4939	Hitch rod, RH	1
67	4940	Hitch rod, LH	1
68	4941	Brake cable (9023 only)	1
69	4233	Retaining strip	2
	9025	Cutter blade	2

Item	Part No	Description	Qty
70		Not Allocated	
71	4946	Brake arm (9023 only)	1
72	7515	Label, hazard warning	1
73	1721	Belt (9023 only)	1
	7604	Belt (9024 only)	1
74	1312	Bolt, 5/16" UNF x 3"	4
75	4774	Sleeve	4
76	7320	Wheel, anti scalp	4
		Note: If installing 9023 Manual Deck on pre 1991 tractors use 9293 belt.	



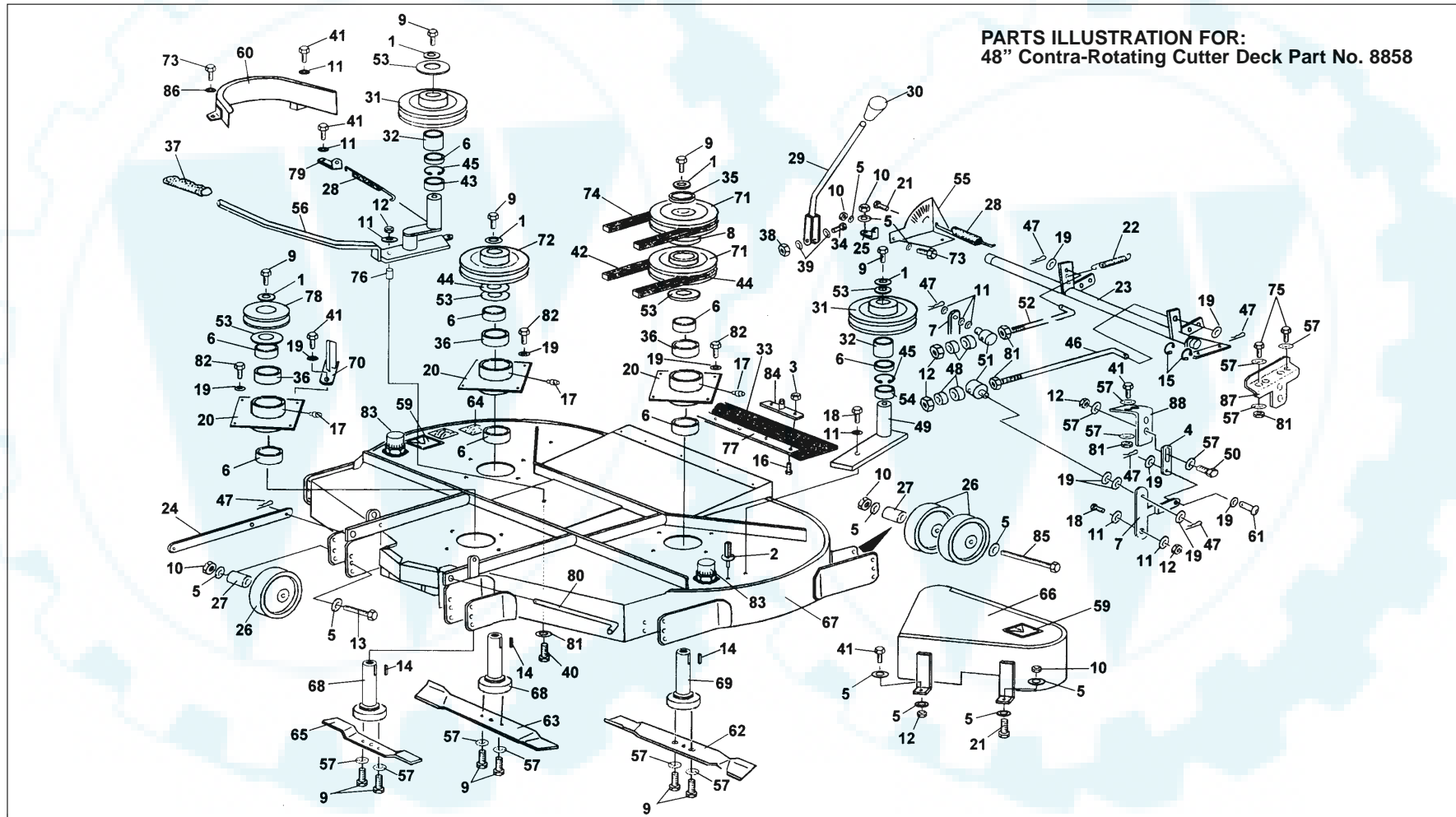


**PARTS LIST FOR:
42" Contra-Rotating Cutter Deck
Part No. 9046**

Item	Part No	Description	Qty
1	1006	Washer, hardened domed	5
2	6748	Shaft, Cam adjuster	1
3	1053	Nut, 2BA Nyloc	5
4	8915	Lifting link	8
5	6122	Washer, M8 (Form B)	19
6	1180	Bearing NSK 6205-RS	8
7	8894	Plate, front link	2
8	8846	Spacer	1
9	094-1025	Setscrew, M10 x 25	14
10	090-08	Nut, M8 Nyloc	18
11	6125	Washer, M10	32
12	2761	Nut, M10 Nyloc	17
13	7046	Bolt, M8 x 80	4
14	3841	Drive key, 1/4" square	4
15	1663	"E" Clip (A1500-75)	2
16	1735	Screw 2BA x 3/4" pozipan	5
17	1423	Grease nipple	5
18	7340	Bolt, M10 x 30	1
19	6124	Washer, M10 (Form B)	11
20	8384	Bearing housing	3
21	4111	Setscrew, M8 x 25	7
22	1076	Spring, tension	2
23	9067	Hanger bracket	1
24	8907	Hitch bar	2
25	4876	Quadrant bracket	1
26	7320	Wheel, anti-scalp	4
27	4774	Sleeve	4
28	2595	Spring	2
29	7646	Lever, height adjuster	1
30	2649	Knob	1
31	9101	Idler Pulley	2
32	9103	Spacer	1
33	3286	Rubber flap	1
34	030-0635	Bolt, M6 x 35	1
35	3635	Washer	1

Item	Part No	Description	Qty
36	8913	Spacer, bearing	3
37	6083	Handgrip	1
38	089-06	Nut, M6	1
39	019-0601	Washer, 1/4" dia.	2
40	074-1035	Bolt, M10 cup head x 35	1
41	5850	Setscrew, M10 x 25	17
42	MX1281	Belt	1
43	9102	Spacer	1
44	8572	Spacer ring	2
45	MX1320	Circlip	2
46	9061	Hitch rod, left hand	1
47	1225	'R' Clip	9
48	3683	Spacer	5
49	8428	Idler shaft assembly	1
50	048-1035	Bolt, M10 x 35	1
51	8639	Pivot, lift rod	2
52	9062	Hitch rod, right hand	1
53	8437	Pulley shroud	5
54	9105	Idler spacer	2
55	8889	Quadrant	1
56	8848	Engine idler assembly	1
57	013-1001	Washer, M10 shakeproof	4
58	4967	Label, caution	1
59	7515	Label hazard warning	2
60	8425	Guard, RH	1
61	3349	Rivet	4
62	8768	Blade, left hand	1
63	8769	Blade, right hand	1
64	3439	Label, height adjuster	1
65	8770	Centre blade	1
66	8926	Guard LH	1
67	8928	Cutter deck	1
68	8774	Cutter shaft, short	2
69	8844	Cutter shaft, long	1
70	8426	Guard, central	1

Item	Part No	Description	Qty
71	8499	Pulley assembly	2
72	8500	Pulley assembly	1
73	2764	Setscrew, M8 x 20 mm	8
74	5672	Drive belt	1
75	6213	Setscrew, M10 x 50	4
76	8576	Spacer tube	1
77	8508	Retaining Strip	1
78	8385	Pulley	1
79	8571	Bracket, spring retaining	1
80	9065	Bar, hitch pivot	1
81	061-10	Nut, M10	2



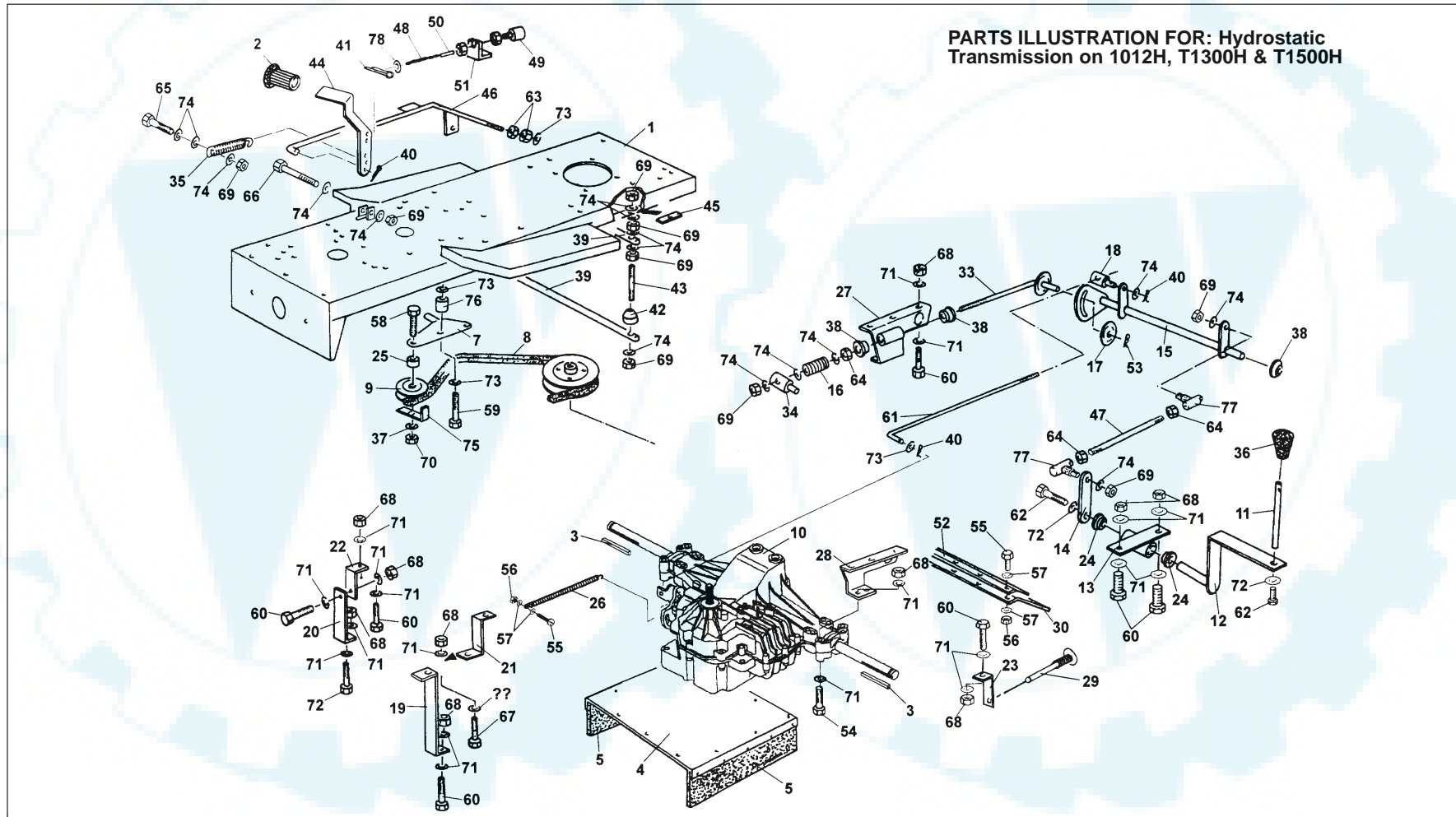


**PARTS LIST FOR:
48" Contra-Rotating Cutter Deck
Part No. 8858**

Item	Part No	Description	Qty
1	1006	Washer, hardened domed	3
2	6748	Shaft, Cam adjuster	1
3	084-05	Nut, M5 Nyloc	5
4	8915	Lifting link	8
5	6122	Washer, M8 (Form B)	19
6	1180	Bearing, NSK 6205-RS	8
7	8894	Plate, front link	2
8	8846	Spacer	1
9	094-1025	Setscrew, M10 x 25 "Ezlok"	14
10	090-08	Nut, M8 Nyloc	18
11	6125	Washer, M10	32
12	2761	Nut, M10 Nyloc	17
13	7046	Bolt, M8 x 80	4
14	3841	Drive key, 1/4" square	4
15	1663	"E" Clip (A1500-75)	2
16	081-0516	Screw, M5 x 16 Pozipan	5
17	1423	Grease nipple	3
18	7340	Bolt, M10 x 30	4
19	6124	Washer, M10 (Form B)	11
20	8384	Bearing Housing	3
21	4111	Setscrew, M8 x 25	6
22	2217	Spring, tension	2
23	8908	Hanger bracket	1
24	8907	Hitch bar	2
25	4876	Quadrant bracket	1
26	7320	Wheel, anti-scalp	8
27	4774	Sleeve	8
28	2595	Spring	2
29	7646	Lever, height adjuster	1
30	2649	Knob	1
31	9101	Idler Pulley	2
32	9103	Spacer	1
33	3286	Rubber flap	1
34	030-0635	Bolt, M6 x 35	1
35	3635	Washer	1

Item	Part No	Description	Qty
36	8913	Spacer, bearing	3
37	6083	Handgrip	1
38	089-06	Nut, M6	1
39	019-0601	Washer, 1/4" dia.	2
40	074-1035	Bolt, M10 cup head x 35	1
41	5850	Setscrew, M10 x 25	8
42	MX1304	Belt	1
43	9102	Spacer	1
44	8572	Spacer ring	2
45	MX1320	Circlip	2
46	9063	Hitch rod, left hand	1
47	1225	'R' Clip	9
48	3683	Spacer	5
49	8428	Idler shaft assembly	1
50	048-1035	Bolt, M10 x 35	8
51	8639	Pivot, lift rod	2
52	9064	Hitch rod, right hand	1
53	8437	Pulley shroud	5
54	9105	Idler spacer	2
55	8889	Quadrant	1
56	9002	Engine idler assembly	1
57	013-1001	Washer, M10 shakeproof	9
58	4967	Label, caution	1
59	7515	Label, hazard warning	2
60	9056	Guard, RH	1
61	3349	Rivet	4
62	8886	Blade, left hand	1
63	8887	Blade, right hand	1
64	3439	Label, height adjuster	1
65	8770	Centre blade	1
66	8926	Guard LH	1
67	8859	Cutter deck	1
68	8774	Cutter shaft, short	2
69	8844	Cutter shaft, long	1
70	8426	Guard, central	1

Item	Part No	Description	Qty
71	5435	Pulley assembly	2
72	8890	Pulley assembly	1
73	2764	Setscrew, M8 x 20 mm	16
74	5672	Drive belt	1
75	6213	Setscrew, M10 x 50	4
76	8576	Spacer tube	1
77	8508	Retaining Strip	1
78	8385	Pulley	1
79	8571	Bracket, spring retaining	1
80	9065	Bar, hitch pivot	1
81	6116	Nut, M10	4
82	6117	Setscrew, M10 x 25 (Nyloc)	9
83	MX1319	Cap	2
84	9090	Spring Anchor	2
85	030-8140	Bolt, M8 x 140	2
86	2048	Washer, 5/16" Shakeproof	6
87	9087	Hanger Bracket, RH Rear	1
	9066	Hanger Bracket, LH Rear	1
88	8924	Hanger Bracket, Front	2
		NOT ILLUSTRATED	
	9503	Baffle	1



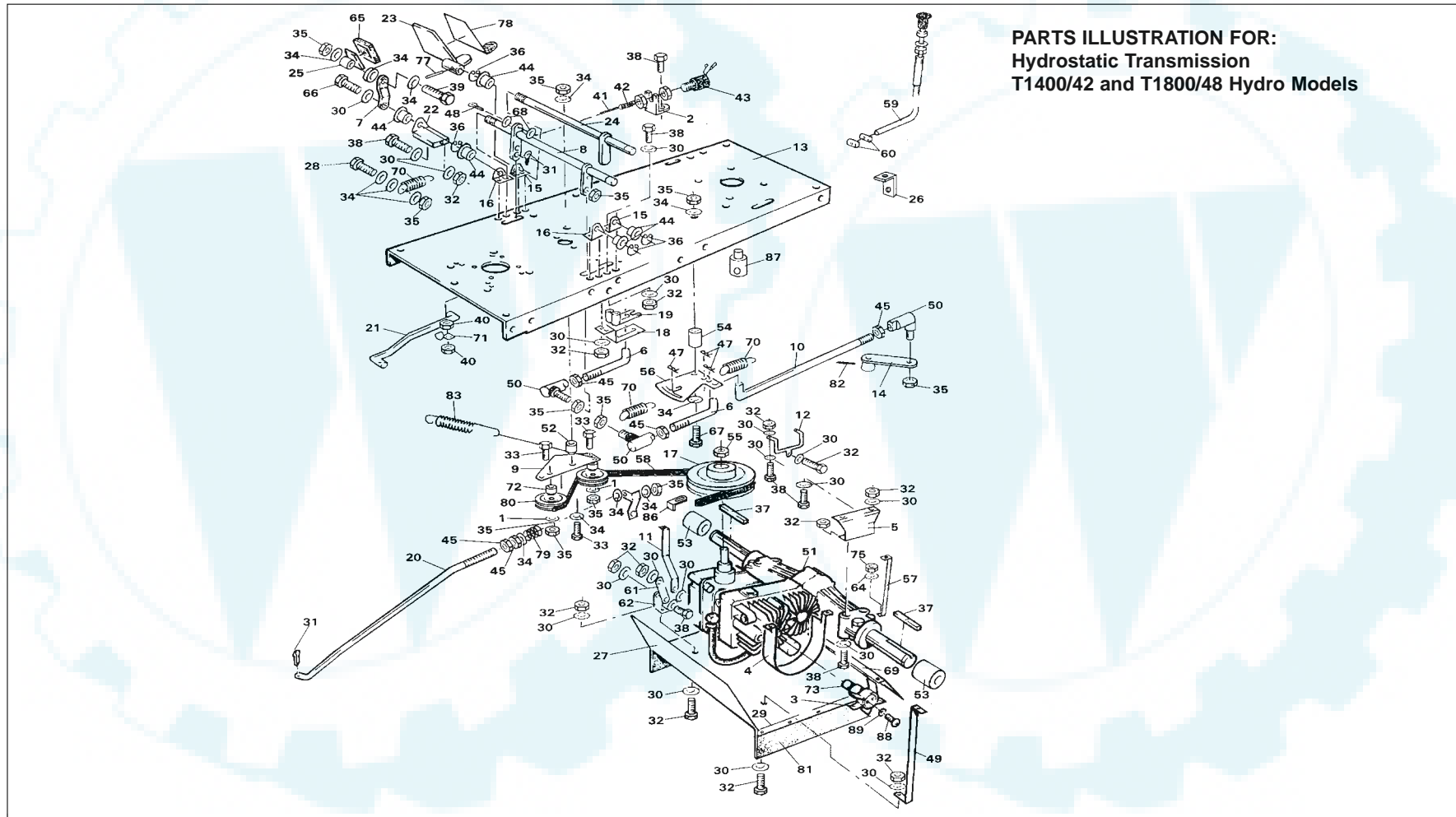


PARTS LIST FOR: Hydrostatic Transmission On 1012H, T1300H & T1500H

Item	Part No	Description	Qty
1	8556	Chassis	1
2	8912	Rubber Foot Pedal	1
3	1664	Drive Key	2
4	4949	Grass Deflector Assembly	1
5	7986	Deflector, Rubber	2
6	8220	Bush, Jockey Pulley	2
7	8253	Jockey Arm	1
8	7239	Belt (A84 1/2)	1
9	8313	Jockey Pulley	2
10	8350	Hydrostatic Gearbox	1
11	8540	Handle, Gear Lever	1
12	8665	Lever, Gear Change	1
13	8666	Pivot, Gear Change	1
14	8669	Plate, Link	1
15	8670	Layshaft	1
16	8674	Spring, Compression	1
17	8675	Slide Washer	1
18	8677	Swivel	1
19	8680	Bracket, LH T/Axle Support	1
20	8681	Bracket	1
21	8682	Bracket	1
22	8683	Bracket, T/Axle Support	1
23	8684	Bracket, Dump Valve	1
24	8686	Bush, Nylon	2
25	8687	Spacer, Jockey Pulley	2
26	8720	Spring	1
27	8726	Bracket, RH	1
28	8727	Bracket, LH	1
29	8731	Cable, Dump Valve	1
30	8732	Rubber Deflector	1
31	8765	Hose Clip (Not illustrated)	2
32	8767	Vent, Hose Assembly (Not illustrated)	1
33	8816	Rod, Centralising	1
34	8817	Swivel	1
35	2103	Spring	1

Item	Part No	Description	Qty
36	2649	Knob	1
37	2847	Washer	2
38	3539	Bush, Nylon	3
39	3991	Hanger Bar	2
40	4086	'R' Clip	6
41	4192	Split Pin	2
42	4328	Spacer	1
43	7283	Stud	2
44	8218	Foot Pedal	1
45	8262	Strengthening Plate	2
46	8676	Brake Rod	1
47	8818	Control Arm	1
48	2592	Chain	1
49	3414	Brake Switch	1
50	3463	Spring	1
51	6393	Bracket	1
52	3233	Retaining Strip	1
53	1225	'R' Clip	1
54	1978	Bolt, 5/16" x 2 1/2"	4
55	3710	Setscrew, M4 x 12mm	5
56	3711	Nut, M4 Nyloc	5
57	4041	Washer, M4	5
58	7419	Bolt, M8 Cup Head	2
59	074-0860	Bolt, M8 Cup head	1
60	1982	Setscrew, 5/16" x 3/4"	10
61	7107	Rod	1
62	2031	Nut, 5/16" UNF	2
63	2040	Nut, 5/16" UNF	2
64	3792	Nut, 3/8" UNF Locking	4
65	1054	Bolt, 3/8" UNF x 1 1/2"	1
66	1267	Bolt, 3/8" UNF x 2 1/2"	1
67	1318	Bolt, 5/16" UNF x 2"	1
68	1273	Nut, 5/16" UNF, Nyloc	12
69	1324	Nut, 3/8" UNF, Nyloc	8
70	084-08	Nut, M8 Nyloc	3

Item	Part No	Description	Qty
71	1105	Washer, 5/16" dia	16
72	1312	Bolt, 5/16" UNF x 3"	1
73	3613	Washer, 5/16" dia	10
74	1323	Washer, 3/8" dia	8
75	5135	Belt Guide	2
76	6812	Bush, Jockey Plate	1
77	6487	Ball Joint	2
78	1067	Washer	1
		NOT ILLUSTRATED	
	9502	Fan (for Hydro Gearbox)	1
	50302	Pulley (for Hydro Gearbox)	1



PARTS ILLUSTRATION FOR:
Hydrostatic Transmission
T1400/42 and T1800/48 Hydro Models



PARTS LIST FOR: Hydrostatic Transmission On T1400/42 and T1800/48 Hydro Models

Item	Part No	Description	Qty
1	2847	Washer, jockey pulley	2
2	6393	Bracket, safety switch	1
3	6800	Fan, 5" dia. plastic	1
4	7795	Guard, fan	1
5	7796	Hanger bracket	2
6	6867	Rod, neutral	2
7	9132	Brake arm	1
8	6873	Shaft, brake pedal	1
9	9135	Plate, jockey arm	1
10	7881	Gear rod (long)	1
11	9137	Bracket, Hydro unit RH	1
12	9138	Bracket, Hydro unit LH	1
13	9140	Chassis	1
14	7879	Gear arm assembly	1
15	7366	Bracket, shaft support	2
16	6869	Bracket, brake shaft	2
17	7786	Pulley, Hydrostatic drive	1
18	6914	Rod guide (long)	1
19	6915	Rod guide assembly	1
20	7824	Brake rod	1
21	9133	Rod, parking brake	1
22	7087	Support, pedal shaft	1
23	9128	Pedal, Hydrostatic drive	1
24	9284	Shaft, pedal	1
25	7551	Pedal, brake	1
26	9269	Bracket, cable support	1
27	7897	Grass deflector	1
28	1054	Bolt, 3/8" UNF x 1 1/2"	1
29	7898	Retaining strip	2
30	1105	Washer, 5/16" dia. T3 LP	34
31	1233	Split pin, 1/8" dia. x 5/8"	1
32	1273	Nut, 5/16" UNF Nyloc	15
33	1319	Bolt, 3/8" UNF x 2"	3
34	1323	Washer, 3/8" dia. T3 LP	8
35	1324	Nut, 3/8" UNF Nyloc	6

Item	Part No	Description	Qty
36	1663	'E' Clip, 3/4" (AM1500-75)	4
37	3841	Drive key, 1/4" square x 2"	2
38	1982	Setscrew, 5/16" UNF x 3/4"	14
39	1997	Bolt, 3/8" UNF x 1 3/4"	1
40	2040	Nut, 5/16" UNF plain	4
41	2592	Chain	1
42	2594	Spring, tension	1
43	3414	Switch, brake safety	1
44	3539	Bush, Nylon	6
45	3792	Locknut, 3/8" UNF	3
46	3908	Washer 3/4" dia. T4 LP	2
47	4086	'R' Clip, small	3
48	4192	Split pin, 3/32" dia. x 1/2"	2
49	7891	Support, left hand front	1
50	6487	Ball joint, right hand	3
51	7649	Hydrostatic Transaxle unit	1
52	6812	Bush, jockey arm pivot	1
53	6820	Wheel spacer	2
54	6862	Boss, neutral quadrant	1
55	6863	Nut, 9/16" UNF, plain	1
56	7797	Neutral quadrant	1
57	7892	Support, rear	2
58	7229	Transmission belt	1
59	9161	Cable, By-pass valve	1
60	6917	Solderless nipple	2
61	7893	Support link	1
62	7894	Bracket	1
63	6985	Setscrew, M6 x 12mm	2
64	1962	Washer 2BA	2
65	7552	Foot pedal rubber	1
66	4107	Setscrew, 5/16" UNF, Nyloc	2
67	1267	Bolt, 3/8" UNF x 2 1/2"	1
68	1067	Washer, 4BA	1
69	7916	Deflector extension	1
70	2103	Spring	4

Item	Part No	Description	Qty
71	9134	Guide clip	1
72	8687	Bush, jockey pulley	2
73	7884	Fan flange	1
74	3689	Nut, M5 Nyloc	1
75	1734	Nut, 2BA Nyloc	2
76	1735	Screw, Pozipan 2BA x 3/4"	2
77	MX244	Spirol pin, 3/16" dia. x 1 1/4"	1
78	6306	Flex Tred	As req
79	6925	Spring	1
80	8313	Jockey pulley	2
81	7899	Rubber flap	2
82	MX936	Pin, 5mm rollspring	1
83	M4027	Spring, Jockey Plate	1
84	7991	Washer Shim	4
85	7820	Washer Thick	8
86	9141	Belt Guide Bracket (Rear Hydro)	1
87	3995	Hinge Pillar	2
88	3710	Screw, M4 x 12	2
89	4041	Washer M4	2